

WALL LOUVRE With adjustable blades ALUMINIUM

Product description

Units are assembled from extruded sections of aluminium AlMgSi0.5

Finishes:

Satin or bronze anodised

Wide range of colours and coatings are available

A bird mesh screen in stainless steel 304 18/8 6 x 6 mm is fitted as standard (insect screen 2.3 x 2.3 mm on request)

Depth to fit : 81.5 mm

Minimum profile thickness : 2 mm

Flange size : 50 mm

Height = (100 mm increments of height) + 90 mm

Max length : 1300 mm in 1 piece

Blade adjustment : hand lever device, cable, ultraflex or motorised units with factory fitted motor

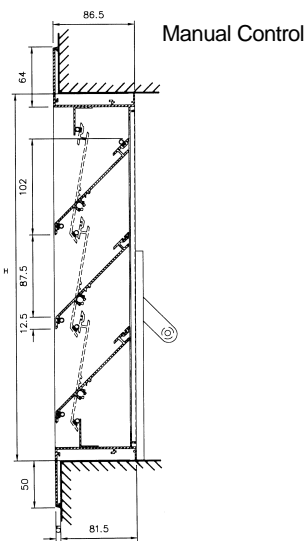
Available air opening : 75%

No standard sizes

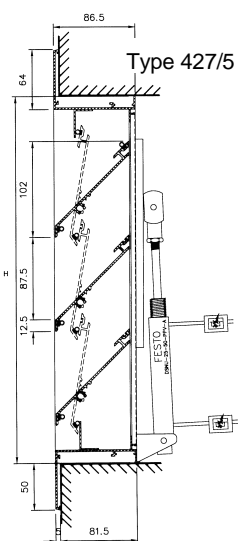
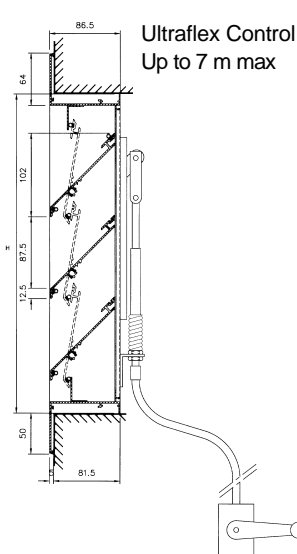
Performance and selection diagram available



Type 427/1

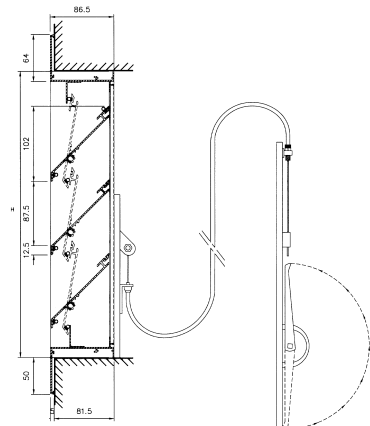


Type 427/3

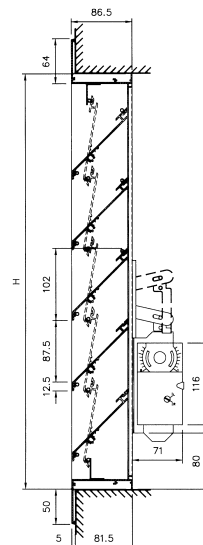


Air Pressure Control
Min height: 390mm

Cable Control
Up to 5 m



Type 427/2



Type 427/4
Motor Control
220 Volts – 24 Volts
Min height: 390mm